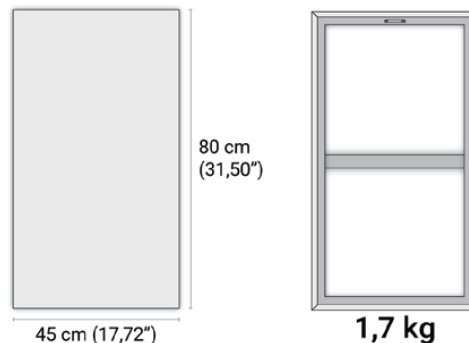


User Instructions (EN)

Product description:

- **Product name:** Canvas picture
- **Manufacturer:** ARTTOR
- **Country of manufacture:** Polska / Europa
- **Model:** PA45x80
- **Product dimensions:** 45cm x 80cm x 1,8cm (17,72" x 31,50" x 0,7")
- **WProduct weight:** 1,7 kg
- **Execution:** During production, safe, odorless, and durable inks with deep color saturation are used. The canvas is carefully stretched on the frame. The sides and edges are printed, creating a continuation of the image. The product is ready to hang on the wall. Each image has a hanger attached to the frame.



Summary of contents:

- 1 x canvas picture
- 1 x mounting kit (plug and screw) - the kit is standard, please make sure before installation whether it is suitable for your place of hanging the canvas picture
- 1 x assembly instructions

All items are secured with bubble wrap and packed together in a cardboard box.

Recommendations for use:

- Regularly check the condition of the fixings and hangers to ensure that the canvas picture is hung securely.
- If the canvas picture requires cleaning, use only a soft, dry cloth to avoid damaging the surface. **Do not use chemical agents or preparations that may damage the surface structure.** Do not use rough and sharp materials to clean the canvas pictures. When cleaning the canvas picture, gently wipe the surface of the canvas picture in one direction, avoiding circular movements. Do not rub or scrub the product hard, so as not to damage its surface.
- The canvas picture should be hung in accordance with its intended use: on dry and durable surfaces, in places not exposed to drafts, in rooms not exposed to high humidity, in rooms not exposed to high temperatures, in rooms not exposed to direct sunlight, in places not above or in the immediate vicinity of devices and equipment emitting heat.

Warnings and precautions:

- Before beginning assembly, make sure you have the proper tools and are able to complete the assembly yourself or with the help of an experienced person.
- Be careful when drilling holes to avoid damaging any electrical, plumbing, etc.

Manufacturer warranty:

- The manufacturer makes every effort to provide customers with a high-quality product.
- The manufacturer grants the buyer a 2-year warranty from the date of purchase of the product.
- Under the warranty, the Manufacturer is obligated to remove all defects resulting from manufacturing errors or material defects.

The manufacturer is not liable for defects resulting from:

- Modifications, changes of any elements
- Improper installation, use or maintenance contrary to the intended use and instructions
- Mechanical damage caused during use

Content, technical and post-purchase support:

- If you have any questions, concerns, problems, or other issues related to the use and installation of the product, please contact the seller or the manufacturer directly.



Warning, use the product as intended. The product is not a toy and may contain small protruding parts. Keep away from children.



The inks used during production meet environmental and health certificates allowing the products to be used in indoor spaces.



Do not leave the product near flammable materials.



The materials used to package our products are made from materials that can be recycled in accordance with our national environmental regulations.



Keep away from heat sources, not above or in the immediate vicinity of heat-emitting devices and equipment. The product should be placed in places not exposed to drafts.



Do not store in rooms exposed to high humidity.



Manufacturer: Arttor Waldemar Błahyj i Leszek Błahyj Spółka Cywilna
Gostkowo 19, 87-148 Łysomice, POLAND,
NIP: PL8792621436, Regon: 340731016
e-mail: biuro@arttor.pl

Installation Instructions (EN)

Read the entire assembly instructions and then proceed. **Note! If you have any concerns or questions, contact the Manufacturer to ensure that the assembly process is safe and correct.**

Safety measures:

- Always wear protective gloves to protect your hands during assembly.
- Use safety glasses to protect your eyes from possible splinters.
- Before starting the installation, make sure that the selected location is safe and has been tested in terms of technical and strength. Make sure that the installation work does not damage any technical infrastructure of the wall, room, or building (structural, hydraulic, electrical, etc.). **We are not responsible for choosing where to hang the product.**
- We are not responsible for any damage caused by the installer during installation work.
- The canvas picture may only be hung on a hanger intended for this purpose. **We do not take responsibility for other hanging methods, such as cords, adhesive tapes, and other non-standard solutions.** Using other methods of hanging a canvas picture than the manufacturer's standard hanger, the responsibility lies with the installer.

Unpacking the product:

Carefully remove the canvas picture from the packaging by opening the cardboard where the staples are located. Gently slide the canvas picture out of the box and place it on a stable, dry surface. Then remove the protective tape and carefully unfold the protective film to release the product. Please carefully check the condition of the product, corners, frame, and canvas to make sure the canvas picture has no damage or defects. If you notice any abnormalities, contact the supplier and dealer before further use. Be sure not to use force or sharp tools when opening to avoid damaging the product.

Preparing tools:

Prepare a screwdriver, tape measure, level, pencil, screws, bolts, or other mounting systems of your choice.

Choosing a place:

Choose a suitable location for the canvas picture, making sure it is clearly visible and adequately lit. Be sure to check that the material of the wall you plan to hang the canvas picture on is strong enough to support its weight.

Preparation of wall surfaces:

The wall surface should be dry, smooth, and even. Make sure there are no dirt or chips that could affect the stability of the installation.

Marking the place:

Use a spirit level to mark where the canvas picture is to be hung. Determine the appropriate height (usually eye level).

Making a hole and mounting a screw or hook:

Make the hole according to the previously described safety measures and the information contained in the assembly instructions. Remember that the responsibility for the correct hole making and installation of screws or hooks lies with the installer. **We are not responsible for poorly performed work in this matter, so we recommend particular caution and accuracy.**

Image montage:

The canvas picture is equipped with a built-in hanger that allows for easy and safe hanging on a previously prepared hook or screw. Make sure the hook or screw is properly selected for the weight of the canvas picture and securely fastened to the wall to ensure safety and stability. **We are not responsible for improperly prepared hooks, screws, drilling, or other hanging systems, or for an improper base on which the canvas picture will be hung.**

Leveling tips:

Use a spirit level to make sure the canvas picture is hanging straight.

Responsibility:

The installer should have knowledge of using tools. **Installation is at your own risk.** If the installer is inexperienced, they should consult someone who can safely help install the product.

Safety Information



The manufacturer, Arttor Waldemar Błahyj and Leszek Błahyj Spółka Cywilna, informs that the manufactured product meets all safety requirements. The materials used for production are free from harmful substances and have been tested and certified in accordance with applicable standards, ensuring safe use in accordance with general safety regulations. Arttor has appointed Mr. Leszek Błahyj as the contact person for matters related to the product. For additional information or questions, please contact us at the following e-mail address: biuro@arttor.pl.



Manufacturer: Arttor Waldemar Błahyj i Leszek Błahyj Spółka Cywilna
Gostkowo 19, 87-148 Łysomice, POLAND,
NIP: PL8792621436, Regon: 340731016
e-mail: biuro@arttor.pl